

# DATA SHEET



## **TDA1318** DCC read amplifier

Preliminary specification  
File under Integrated Circuits, IC01

April 1996

**Philips Semiconductors**



**PHILIPS**

## DCC read amplifier

TDA1318

## FEATURES

- Differential inputs for a low-power head configuration
- Low-noise current sources for the sense currents of the DCC head
- Reduced power consumption by separate on/off switching of the circuits and sense current of the DCC and CC parts of the IC
- The IC can be used with both the first and second generation DCC digital signal processing ICs
- High-impedance outputs in the OFF state so that the outputs of the ICs can be connected in parallel for dual decks or for decks with electrical auto-reverse heads
- AGC of DCC preamplifiers (can be switched off)
- Possibility of analog audio via DCC preamplifiers (analog via digital readers, ADR mode)
- Single 5 V supply.



## GENERAL DESCRIPTION

The TDA1318 amplifies, filters and multiplexes signals arriving from magneto-resistive thin film heads (MRHs) which are suitable for DCC (Digital Compact Cassette) and CC (Compact Cassette) systems. The device also has current sources to provide sense currents through the DCC-MRHs and two amplifiers for magnetic feedback and biasing.

## QUICK REFERENCE DATA

SYMBOL	PARAMETER	CONDITIONS <sup>(1)</sup>			MIN.	TYP.	MAX.	UNIT
		CS	SD	ADR				
V <sub>DD</sub>	supply voltage	–	–	–	4.5	5.0	5.5	V
V <sub>CCM</sub>	supply voltage feedback amplifiers	–	–	–	4.5	5.0	5.5	V
I <sub>DDCC</sub>	supply current DCC mode (note 2)	1	1	0	–	31	41	mA
I <sub>DDCCadr</sub>	supply current DCC mode (ADR)	1	1	1	–	31	41	mA
I <sub>DDCC</sub>	supply current CC mode	1	0	0	–	9.7	13	mA
I <sub>DDCCadr</sub>	supply current CC mode (ADR)	1	0	1	–	17.8	24.5	mA
I <sub>CCM</sub>	supply current feedback amplifiers	1	1	1	–	8.5	12	mA
		1	0	0				
		1	0	1				
I <sub>DD</sub>	supply current (ADC reference ON)	0	1	–	–	1.6	2.2	mA
I <sub>DD(Q)</sub>	total quiescent current in OFF mode	0	0	–	–	–	300	μA
P <sub>tot</sub>	total power dissipation, DCC mode	–	–	–	–	250	–	mW
T <sub>amb</sub>	operating ambient temperature	–	–	–	–30	–	+85	°C

## Notes

1. In the conditions column 0 = LOW; 1 = HIGH.
2. ADR = 1 when pin INL and/or INR is connected to V<sub>SS</sub>.

# DCC read amplifier

# TDA1318

## ORDERING INFORMATION

EXTENDED TYPE NUMBER	PACKAGE			
	PINS	PIN POSITION	MATERIAL	CODE
TDA1318H	44	QFP44S10 <sup>(1)</sup>	plastic	SOT307-2

### Note

- When using IR reflow soldering it is recommended that the Dry Packing instructions in the "Quality Reference Pocket book" (order number 9398 510 34011) are followed.

## BLOCK DIAGRAM

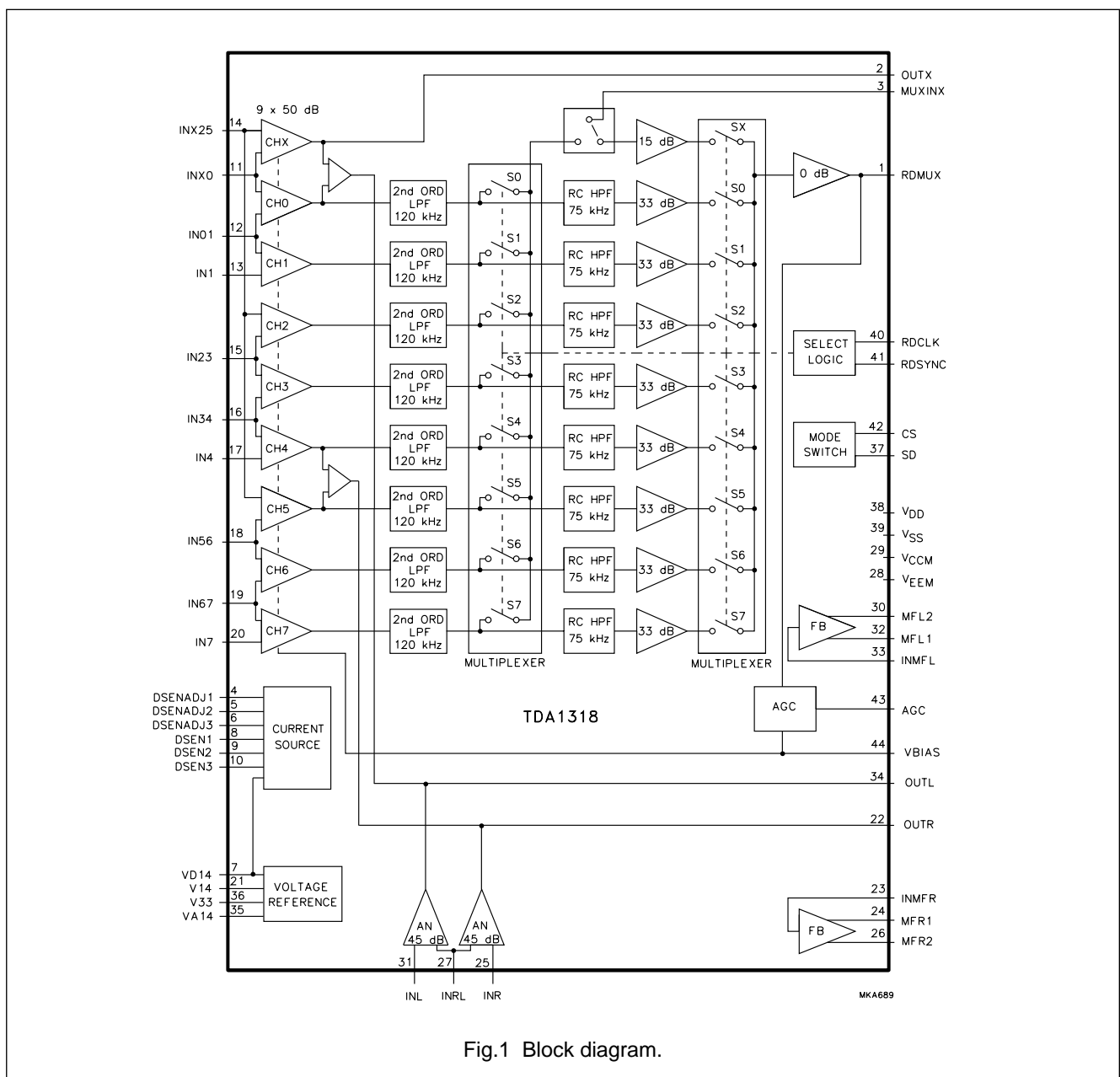


Fig.1 Block diagram.

## DCC read amplifier

TDA1318

## PINNING

SYMBOL	PIN	DESCRIPTION
RDMUX	1	output for sampled and multiplexed auxiliary and main data signals
OUTX	2	auxiliary channel preamplifier output
MUXINX	3	auxiliary channel multiplexer input
DSENAD J1	4	adjustment pin for DCC sense current 1
DSENAD J2	5	adjustment pin for DCC sense current 2
DSENAD J3	6	adjustment pin for DCC sense current 3
VD14	7	reference voltage output DCC sense
DSEN1	8	DCC sense current output 1
DSEN2	9	DCC sense current output 2
DSEN3	10	DCC sense current output 3
INX0	11	auxiliary channel input/channel 0 input
IN01	12	channels 0 and 1 input
IN1	13	channel 1 input
INX25	14	channels AUX, 2 and 5 input
IN23	15	channels 2 and 3 input
IN34	16	channels 3 and 4 input
IN4	17	channel 4 input
IN56	18	channels 5 and 6 input
IN67	19	channels 6 and 7 input
IN7	20	channel 7 input
V14	21	reference voltage output for DCC/analog inputs
OUTR	22	right channel analog output

SYMBOL	PIN	DESCRIPTION
INMFR	23	right channel feedback amplifier input
MFR1	24	right channel feedback amplifier output 1
INR	25	right channel analog input
MFR2	26	right channel feedback amplifier output 2
INRL	27	right/left channel analog input
V <sub>EEM</sub>	28	ground for feedback amplifiers
V <sub>CCM</sub>	29	positive supply for feedback amplifiers
MFL2	30	left channel feedback amplifier output 2
INL	31	left channel analog input
MFL1	32	left channel feedback amplifier output 1
INMFL	33	left channel feedback amplifier input
OUTL	34	left channel analog output
VA14	35	reference voltage output CC sense
V33	36	ADC reference voltage output
SD	37	select DCC part input
V <sub>DD</sub>	38	positive supply voltage
V <sub>SS</sub>	39	ground
RDCLK	40	read clock input
RDSYNC	41	read sync pulse input
CS	42	chip select input
AGC	43	AGC time constant
VBIAS	44	DCC preamplifier control voltage

DCC read amplifier

TDA1318

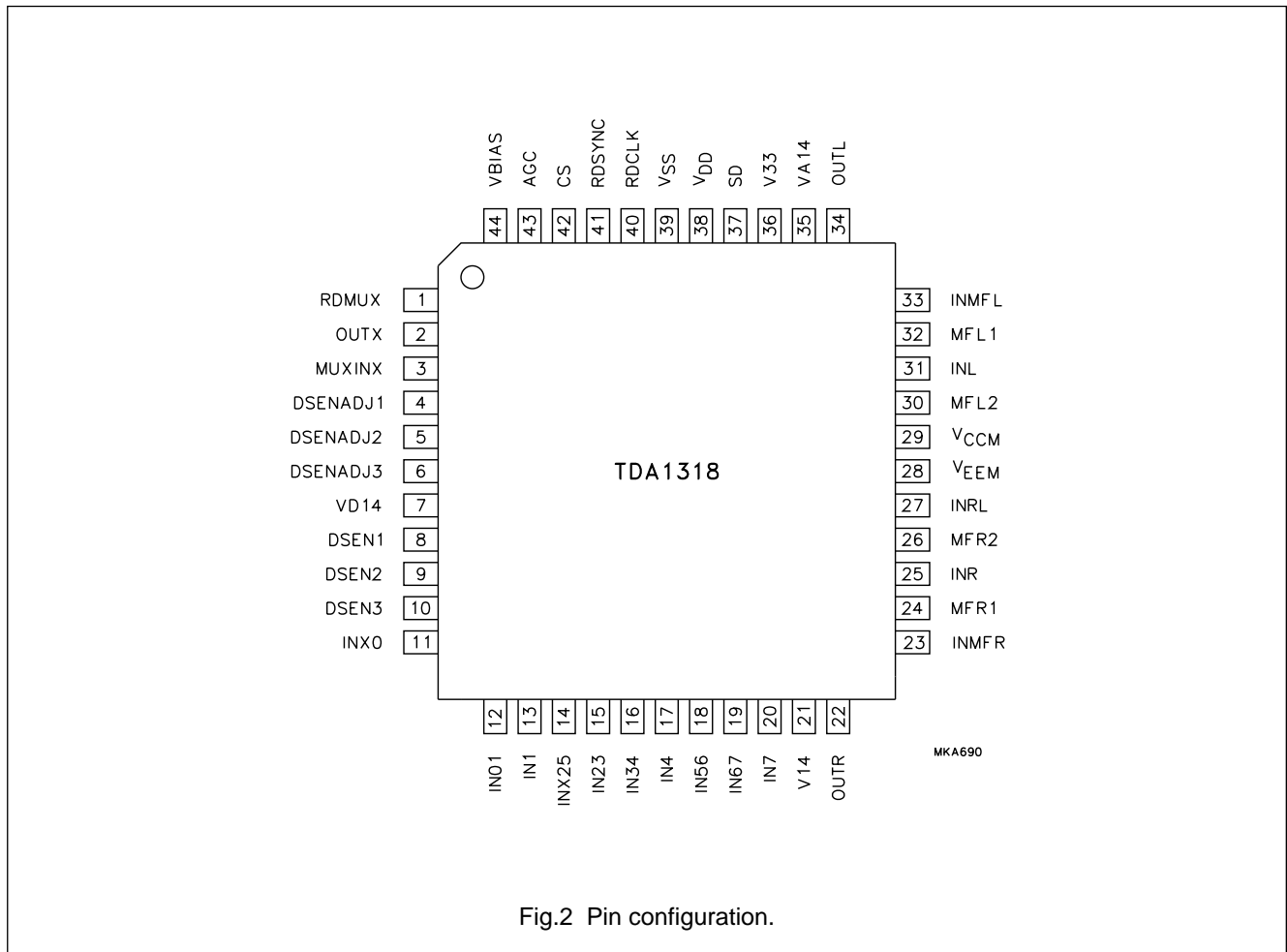


Fig.2 Pin configuration.

**FUNCTIONAL DESCRIPTION**

**DCC data amplifiers**

For DCC operation the TDA1318 has eight channels for the main data and one channel for the auxiliary data. The eight main data channels have low-noise preamplifiers, pre-equalisation for frequencies from 1 kHz to 50 kHz (1st order high-pass filter, -3 dB point 75 kHz) and low-pass filtering for anti-aliasing (2nd order active, -3 dB point 120 kHz). The auxiliary channel has a preamplifier with a flat frequency response. A continuous output (OUTX) is available for this channel. All inputs are differential and must be AC-coupled to the MRHs. The inputs are internally biased by V14.

**Automatic gain control**

The DCC part is equipped with an AGC circuit which diminishes the gain of the DCC preamplifiers when the level at output RDMUX exceeds a preset value.

In this way, an optimum voltage swing at the RDMUX output is obtained. The response time of the AGC can be set by an external capacitor at pin 43. There is a fixed relation between the source and sink current at this pin. This results in a fixed relationship between decay and recovery time of the gain. The AGC can be switched off by connecting pin 43 to VSS. In this condition the preamplifier gains are maximum, as specified in Chapter "Characteristics".

**Multiplexer**

A multiplexing circuit switches the nine digital channels sequentially to the output. The AUX data is switched to the output buffer during two clock periods, the eight main data channels are all sampled for one clock period. The effective sample frequency is one tenth of the clock frequency at RDCLK. Multiplexer timing is illustrated in Fig.4.

## DCC read amplifier

## TDA1318

**Analog amplifiers**

For Compact Cassette operation the TDA1318 has two low-noise preamplifiers, and two amplifiers for the magnetic feedback current. The analog amplifier inputs are differential, and must be AC-coupled to the MRHs. The analog inputs are internally biased by V14.

When one of the analog inputs, INL or INR, is connected to  $V_{SS}$  the circuit is set to the ADR mode. In this condition the analog amplifiers are switched OFF and four DCC preamplifiers are available for amplification of the left and right analog signals.

**Feedback amplifiers**

Two feedback amplifiers are available for driving a coil in the MRH, thus providing a feedback loop in order to improve the linearity of the analog audio response. In the DCC mode the feedback amplifiers can be used for biasing the MRH (for ADR = 1).

**Current and voltage sources**

Separate, adjustable low-noise current sources are present for the sense currents of the DCC MRHs. The DC output voltages V14, VA14, VD14, and V33 are derived from an internal bandgap voltage reference source.

VD14 is a reference voltage for the DCC sense current sources. VA14 (referenced to  $V_{SS}$ ) can be used to control external sense current sources. V33 (referenced to  $V_{SS}$ ) can be used as reference voltage for an analog-to-digital converter.

**Modes of operation**

The amplifiers and sense current circuits of the DCC and CC parts can be switched ON or OFF separately by the mode switch signals CS and SD. In addition, a connection of one of the analog inputs INL or INR to  $V_{SS}$  is recognized as the ADR mode, thereby providing amplification of audio signals by the DCC preamplifiers. This enables the use of heads containing only DCC readers as well as heads equipped with analog and DCC readers.

The data and analog output buffers have high-output impedance in the OFF state, thus allowing the outputs of ICs to be connected in parallel.

**Table 1** Total supply current per mode.

MODE	CS	SD	ADR	TYP. $I_{DD} + I_{CCM}$ (mA)	MAX. $I_{DD} + I_{CCM}$ (mA)
OFF	0	0	X	<0.3	0.3
ADC reference only	0	1	X	1.6	2.2
CC	1	0	0	18.2	25.0
CC via DCC inputs	1	0	1	26.3	36.5
DCC (analog and digital readers)	1	1	0	31.0	41.0
DCC (digital readers only)	1	1	1	39.5	53.0

## DCC read amplifier

TDA1318

Table 2 Modes of operation.

MODE	CONTROL SIGNAL			DCC PART	CC PART	FB AMPS	ADC REF	OUTPUTS SWITCHED OFF	OUTPUTS ENABLED
	CS	SD	ADR <sup>(1)</sup>						
OFF	0	0	X	off	off	off	off	OUTX; RDMUX; OUTL; OUTR	–
ADC reference only	0	1	X	off	off	off	on	OUTX; RDMUX; OUTL; OUTR	V33
CC	1	0	0	off	on	on	off	OUTX; RDMUX	OUTL; OUTR
CC via DCC inputs	1	0	1	on <sup>(2)</sup>	on <sup>(3)</sup>	on	off	OUTX; RDMUX	OUTL; OUTR
DCC (analog and digital readers)	1	1	0	on	off	off	on	OUTL; OUTR	V33; OUTX; RDMUX
DCC (digital readers only)	1	1	1	on	off	on	on	OUTL; OUTR	V33; OUTX; RDMUX

## Notes

1. ADR = 1 when pin INL and/or INR is connected to V<sub>SS</sub>.
2. Preamplifiers only; AGC disabled.
3. Output stages only; VA14 off.

## LIMITING VALUES

In accordance with the Absolute Maximum Rating System (IEC 134).

SYMBOL	PARAMETER	CONDITIONS	MIN.	MAX.	UNIT
V <sub>DD</sub>	supply voltage	V <sub>SS</sub> = 0; V <sub>EEM</sub> = 0	–0.3	5.5	V
V <sub>CCM</sub>	supply voltage feedback amplifiers		–0.3	5.5	V
ΔV	difference in ground potential between V <sub>SS</sub> and V <sub>EEM</sub>		0	0	V
V <sub>I</sub>	voltage on any pin	V <sub>DD</sub> + 0.5 < 5.5 V	0.3	V <sub>DD</sub> + 0.5	V
I <sub>EEM</sub>	maximum ground current (pin 28)		–	±120	mA
I <sub>CCM</sub>	maximum supply current (pin 29)		–	±120	mA
I <sub>n</sub>	maximum current on pins 24, 26, 30 and 32		–	±80	mA
I <sub>DD</sub>	maximum supply current (pin 38)		–	±80	mA
I <sub>SS</sub>	maximum ground current (pin 39)		–	±80	mA
I <sub>max</sub>	maximum current on all other pins		–	±20	mA
P <sub>tot</sub>	total power dissipation		–	350	mW
T <sub>stg</sub>	storage temperature		–65	+150	°C
T <sub>amb</sub>	operating ambient temperature		–30	+85	°C
V <sub>es</sub>	electrostatic handling		–2000	+2000	V

## DCC read amplifier

TDA1318

## THERMAL RESISTANCE

SYMBOL	PARAMETER	THERMAL RESISTANCE
$R_{th\ j-a}$	from junction to ambient in free air	90 K/W

## CHARACTERISTICS

$V_{DD} = 5\text{ V}$ ;  $V_{CCM} = 5\text{ V}$ ;  $V_{SS} = V_{EEM} = 0\text{ V}$ ;  $f_{clk} = 3.072\text{ MHz}$ ;  $T_{amb} = 25\text{ }^\circ\text{C}$ ; unless otherwise specified.

SYMBOL	PARAMETER	CONDITIONS	MIN.	TYP.	MAX.	UNIT
<b>Supply</b>						
$V_{DD}$	supply voltage		4.5	5.0	5.5	V
$V_{CCM}$	supply voltage feedback amplifiers		4.5	5.0	5.5	V
$I_{DDCC}$	supply current DCC part	CS = 1; SD = 1; ADR = 0	21	31	41	mA
		CS = 1; SD = 1; ADR = 1	21	31	41	mA
$I_{DDCC}$	supply current CC amplifiers	CS = 1; SD = 0; ADR = 0	7	9.7	13	mA
		CS = 1; SD = 0; ADR = 1	12.5	17.8	24.5	mA
$I_{CCM}$	supply current feedback amplifiers	note 1	6.0	8.5	12	mA
$I_{DD}$	supply current (ADC reference ON)	CS = 0; SD = 1	1.1	1.6	2.2	mA
$I_{tot}$	total current in OFF state of $I_{DD}$ and $I_{CCM}$	CS = 0; SD = 0	–	–	300	$\mu\text{A}$
$V_{ref}$	reference voltage for DCC inputs (pin 21)	$I_o < -1\text{ mA}$	1.3	1.4	1.5	V
	reference voltage for DCC sense (pin 7)	$I_o < -20\text{ }\mu\text{A}$	1.25	1.4	1.55	V
	reference voltage for CC sense (pin 35)	$I_o < -20\text{ }\mu\text{A}$	1.25	1.4	1.6	V
	reference voltage for ADC (pin 36)	$I_o < -2.5\text{ mA}$	3.2	3.3	3.4	V
<b>DCC part</b>						
AMPLIFIER CHANNEL 0 TO 7; NOTE 2						
G	amplifier gain	$f_i = 50\text{ kHz}$	75	78	81	dB
		$f_i = 100\text{ kHz}$	75	80	83	dB
$\Delta G$	relative gain	$f_i = 10\text{ kHz}$ ; note 3	–14	–12	–10	dB
		$f_i = 300\text{ kHz}$ ; note 3	–22	–12	–3	dB
$V_O$	DC output voltage	note 4	1.8	2.1	2.4	V
$V_{os}$	DC offset voltage between channels	note 4	–	–	300	mV
$V_{n(ref)}$	input referred noise voltage	$f_i = 50\text{ kHz}$ ; $R_{source} = 70\text{ }\Omega$	–	1.9	–	$\text{nV}/\sqrt{\text{Hz}}$
$\Delta V_{n(ref)}$	3 $\times$ standard deviation in amplitude spread of input referred noise	$f_i = 50\text{ kHz}$ ; $R_{source} = 70\text{ }\Omega$	–	0.5	–	$\text{nV}/\sqrt{\text{Hz}}$



## DCC read amplifier

## TDA1318

SYMBOL	PARAMETER	CONDITIONS	MIN.	TYP.	MAX.	UNIT
THD	total harmonic distortion	$f_i = 10 \text{ kHz}$ ; $V_1 = 0.5 \text{ V (RMS)}$	–	–40	–30	dB
$Z_i$	input impedance to $V_{SS}$		8	11	–	$k\Omega$
SR	supply rejection	$f_i = 50 \text{ kHz}$ ; note 5	–	–18	–30	dB
$\alpha_{CS}$	channel separation	$f_i = 10 \text{ kHz}$	30	40	–	dB
AMPLIFIER AUXILIARY CHANNEL; CHANNEL X; NOTE 2						
$G_2$	amplifier gain at pin 2	$f_i = 100 \text{ Hz to } 100 \text{ kHz}$	48	51	54	dB
$G_1$	amplifier gain at pin 1	$f_i = 100 \text{ Hz to } 100 \text{ kHz}$ ; note 6	62	65	68	dB
$V_{n(\text{ref})}$	input referred noise voltage	$f_i = 10 \text{ kHz}$ ; $R_{\text{source}} = 70 \Omega$	–	1.9	–	$\text{nV}/\sqrt{\text{Hz}}$
$\Delta V_{n(\text{ref})}$	3 × standard deviation in amplitude spread of input referred noise	$f_i = 10 \text{ kHz}$ ; $R_{\text{source}} = 70 \Omega$	–	0.5	–	$\text{nV}/\sqrt{\text{Hz}}$
$V_{2(\text{rms})}$	maximum output voltage (RMS value)	$f_i = 10 \text{ kHz}$	0.5	–	–	V
THD	total harmonic distortion	$f_i = 1 \text{ kHz}$ ; $V_1 = 0.5 \text{ V (RMS)}$	–	–40	–30	dB
SR	supply rejection	$f_i = 1 \text{ kHz}$ ; note 5	–	–6	–15	dB
$R_{L(\text{DC})}$	DC load to $V_{SS}$ (pin 2)		10	–	–	$k\Omega$
$C_{L(\text{AC})}$	AC load to $V_{SS}$ (pin 2)		–	–	100	pF
$Z_o$	output impedance at pin 2 in OFF state	see Table 2	1	–	–	$M\Omega$
OUTPUT BUFFER: PIN 1 (RDMUX)						
$V_{1(\text{rms})}$	maximum output voltage (RMS value)	$R_L = 2 \text{ k}\Omega$	0.5	–	–	V
$R_{L(\text{DC})}$	DC load to $V_{SS}$		2	–	–	$k\Omega$
$t_{\text{set}}$	settling time	$R_L = 2 \text{ k}\Omega$ ; $C_L = 100 \text{ pF}$ ; settling within 10 mV	–	100	150	ns
$Z_o$	output impedance in OFF state	see Table 1	1	–	–	$M\Omega$
$V_{1(\text{rms})}$	AGC level (RMS value)	note 7	120	270	410	mV
$\Delta V_1$	AGC voltage range		8	9.5	12	dB
$I_{\text{source}}$	AGC source current (pin 43)		–	80	–	$\mu\text{A}$
$I_{\text{sink}}$	AGC sink current (pin 43)		–	0.7	–	$\mu\text{A}$
SELECTED LOGIC AND MODE SWITCH: PINS RDCLK, RDSYNC, CS AND SD						
$V_{IH}$	HIGH level input voltage		2.2	–	5.0	V
$V_{IL}$	LOW level input voltage		0	–	1.0	V
$I_{LI}$	input leakage current		–10	0	+10	$\mu\text{A}$
$C_i$	input capacitance	note 8	–	–	10	pF

## DCC read amplifier

## TDA1318

SYMBOL	PARAMETER	CONDITIONS	MIN.	TYP.	MAX.	UNIT
$t_{su}$	set-up time RDCLK and RDSYNC	note 9	20	–	–	ns
$t_h$	hold time RDCLK and RDSYNC	note 9	20	–	–	ns
$t_r$	rise time	note 9	–	–	50	ns
$V_{ADR}$	ADR mode detection level (pins 25 and 31)		0	–	0.4	V
$V_{TEST}$	test mode detection level (pin 27)		0	–	0.4	V
<b>SENSE CURRENT SOURCE</b>						
$I_{DSEN(min)}$	minimum output current	note 10	–	–	5	mA
$I_{DSEN(max)}$	maximum output current	note 11	20	–	–	mA
$I_{no}$	output noise current	note 11	–	20	–	pA $\sqrt{Hz}$
$Z_o$	output impedance	$I_{DSEN} = 10$ mA	20	–	–	k $\Omega$
<b>CC part</b>						
<b>ANALOG AMPLIFIER</b>						
G	amplifier gain	$f_i = 20$ Hz to 20 kHz	43	45	47	dB
$V_{i(rms)}$	input voltage level (RMS value)	$f_i = 1$ kHz	–	2.75	–	mV
$V_{n(ref)}$	input referred noise voltage	$f_i = 10$ kHz; $R_{source} = 300$ $\Omega$	–	2.8	–	nV $\sqrt{Hz}$
$\Delta V_{n(ref)}$	3 $\times$ standard deviation in amplitude spread of input referred noise	$f_i = 10$ kHz; $R_{source} = 300$ $\Omega$	–	1.0	–	nV $\sqrt{Hz}$
$V_{o(rms)}$	maximum output voltage (RMS value)	$f_i = 1$ kHz	0.5	–	–	V
THD	total harmonic distortion	$f_i = 1$ kHz; $V_o = 0.5$ V (RMS)	–	–60	–50	dB
SR	supply rejection	$f_i = 1$ kHz; note 5	–	37	–	dB
$\alpha_{cs}$	channel separation	$f_i = 1$ kHz	40	–	–	dB
$R_{L(DC)}$	DC load to $V_{SS}$ (pins 22 and 34)		10	–	–	k $\Omega$
$C_{L(AC)}$	AC load to $V_{SS}$ (pins 22 and 34)		–	–	300	pF
$Z_o$	output impedance in OFF state (pins 22 and 34)	see Table 2	1	–	–	M $\Omega$
<b>ANALOG INPUT VIA DCC PREAMPLIFIERS</b>						
G	amplifier gain	$f_i = 20$ Hz to 20 kHz	48	51	54	dB
$V_{i(rms)}$	input voltage level (RMS value)	$f_i = 1$ kHz	–	1.4	–	mV
$V_{n(ref)}$	input referred noise voltage	$f_i = 10$ kHz; $R_{source} = 70$ $\Omega$	–	1.9	–	nV $\sqrt{Hz}$

## DCC read amplifier

TDA1318

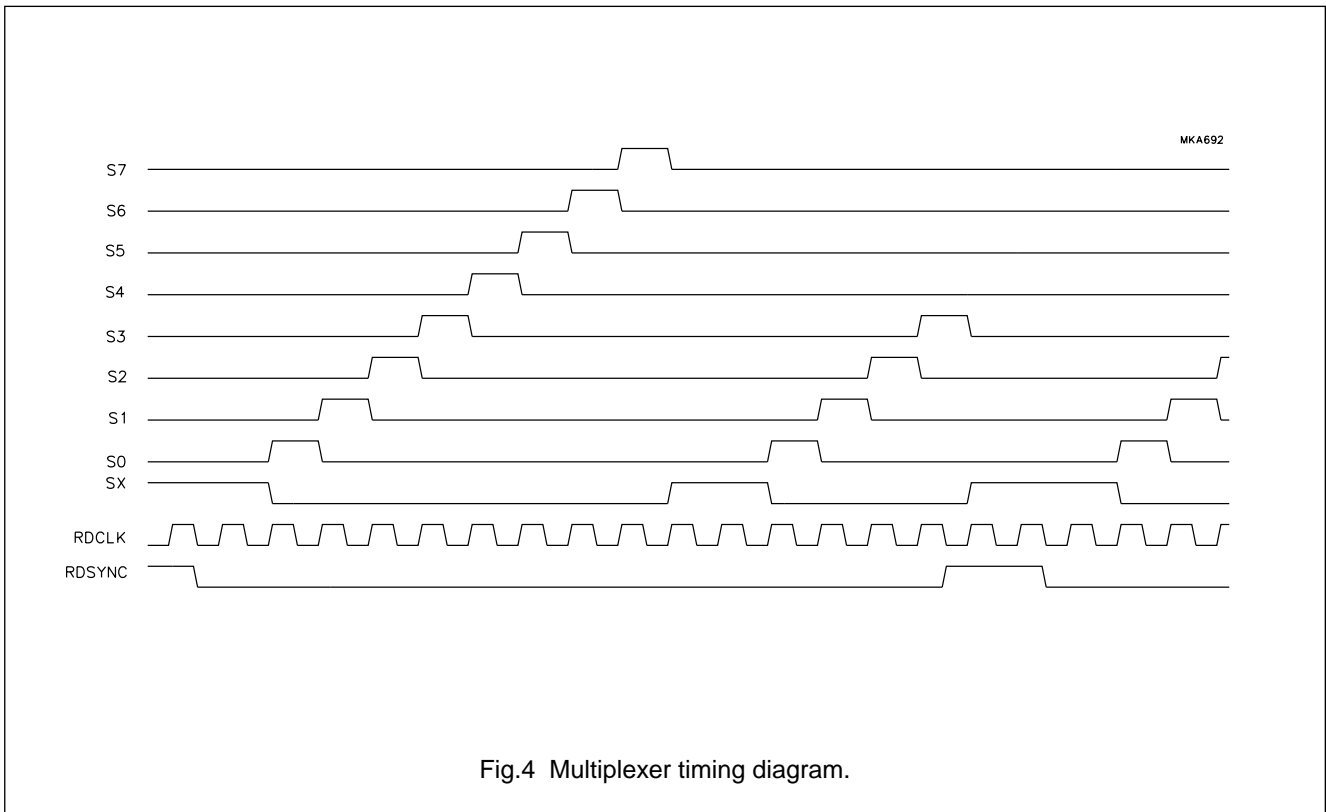
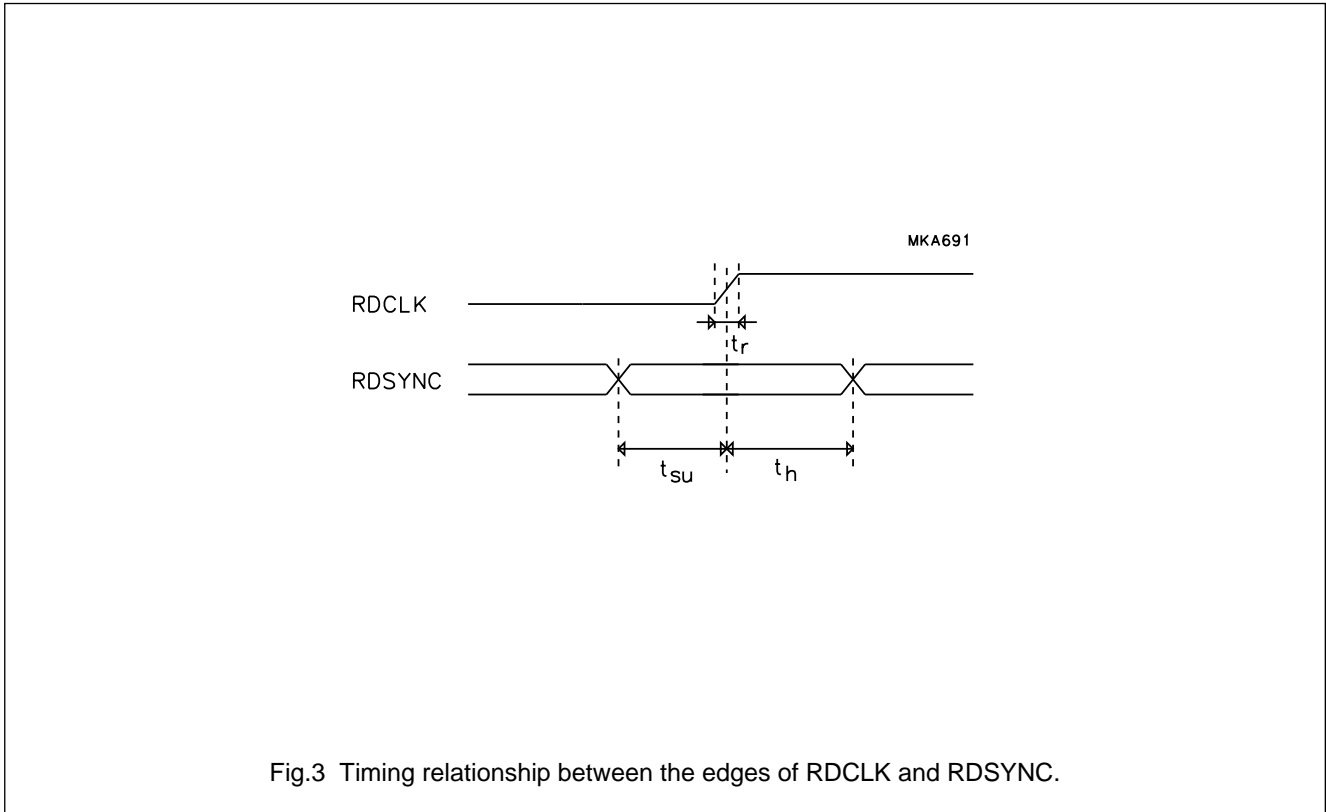
SYMBOL	PARAMETER	CONDITIONS	MIN.	TYP.	MAX.	UNIT
$\Delta V_{n(\text{ref})}$	3 × standard deviation in amplitude spread of input referred noise	$f_i = 10 \text{ kHz}$ ; $R_{\text{source}} = 70 \Omega$	–	0.5	–	nV $\sqrt{\text{Hz}}$
$V_{o(\text{rms})}$	maximum output voltage (RMS value)	$f_i = 1 \text{ kHz}$	0.5	–	–	V
THD	total harmonic distortion	$f_i = 1 \text{ kHz}$ ; $V_1 = 0.5 \text{ V (RMS)}$	–	–40	–30	dB
SR	supply rejection	$f_i = 1 \text{ kHz}$ ; auxiliary data channel; see Fig.6	–	–6	–	dB
$\alpha_{\text{CS}}$	channel separation	$f_i = 1 \text{ kHz}$	40	–	–	dB
FEEDBACK AMPLIFIER						
$I_{o(\text{rms})}$	maximum output current (RMS value)	note 12	30	–	–	mA
THD	total harmonic distortion	note 13	–	–60	–50	dB
B	bandwidth	note 14	50	–	–	kHz

**Notes**

- CS = 1, SD = 1, ADR = 1; CS = 1, SD = 0, ADR = 0; CS = 1, SD = 0, ADR = 1; feedback amplifiers unloaded. The supply pins for the feedback amplifiers are pins 28 and 29. The supply pins for all other circuits are pins 38 and 39 (see Tables 1 and 2).
- AGC circuit OFF (maximum gain; pin 43 connected to  $V_{\text{SS}}$ ).
- Gain relative to gain at  $f_i = 50 \text{ kHz}$ . See Fig.5 for typical frequency response.
- Difference between minimum and maximum DC level at the outputs of the data channels. To be measured at pin 1.
- See Figs 6 and 7 for typical supply rejection.
- Pin 2 AC-coupled to pin 3 via 100 nF capacitor.
- Measured with a continuous sinewave of 10 kHz at pin 1, multiplexer in a fixed position. A 1 V (RMS) sinewave corresponds with a multiplexed DCC signal of 4.3 V (p-p).
- Periodically sampled, not tested.
- Timing relationship between the edges of RDCLK and RDSYNC is illustrated in Fig.3. Figure 4 illustrates the action of the multiplexer switches.
- The output current can be adjusted by connecting a resistor between the adjust pin and  $V_{\text{SS}}$ . A 68  $\Omega$  resistor will produce 10 mA (typ.) through the MRHs (see Fig.9).
- A resistor of 210  $\Omega$  connected between sense current output and  $V_{\text{DD}}$ ; frequency range from 10 kHz to 100 kHz; sense current = 10 mA; pin 7 decoupled to  $V_{\text{SS}}$  by 10  $\mu\text{F}$  capacitor.
- Closed loop; unity gain;  $f_i = 1 \text{ kHz}$ ; THD < –45 dB;  $R_L = 40 \Omega$ ; in accordance with Fig.10.
- Closed loop; unity gain;  $f_i = 1 \text{ kHz}$ ; 10 mA (RMS) output current into 40  $\Omega$ ; in accordance with Fig.10.
- Closed loop; unity gain; –3 dB bandwidth; measured in test circuit of Fig.10.

DCC read amplifier

TDA1318



DCC read amplifier

TDA1318

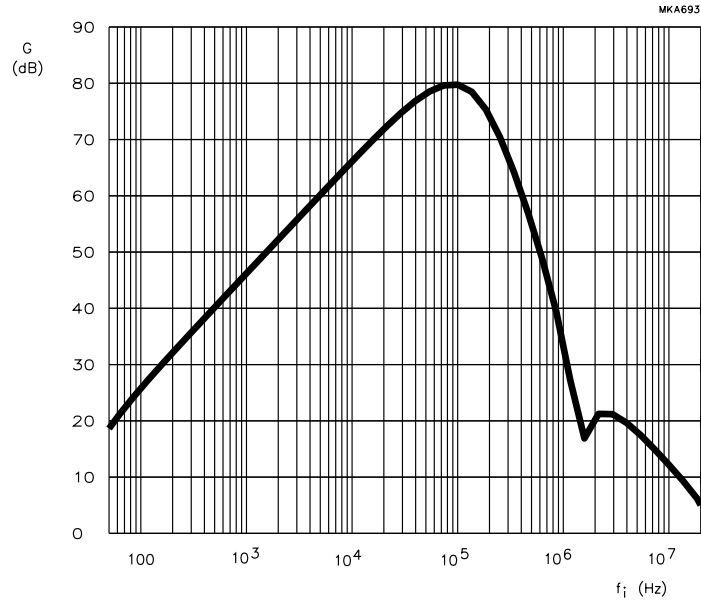


Fig.5 Typical gain of main data channel (AGC off).

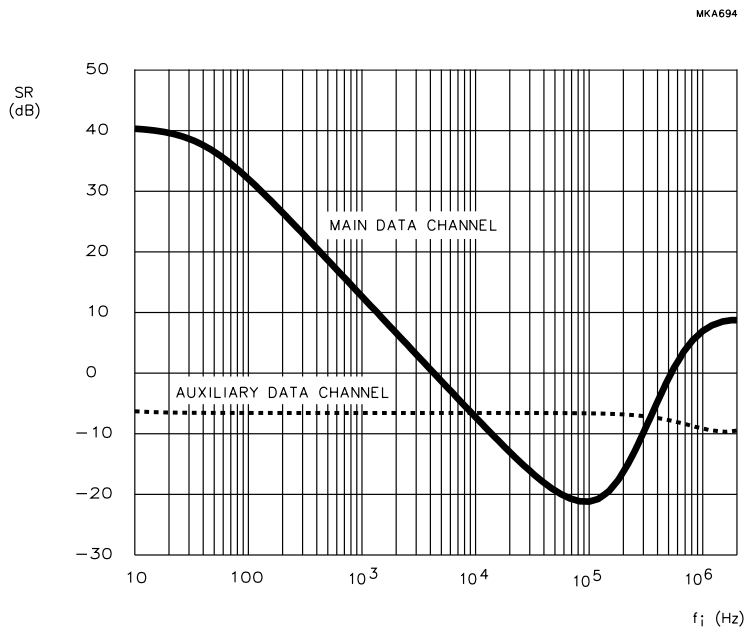


Fig.6 Typical supply rejection of main data and auxiliary data channel (AGC off).

DCC read amplifier

TDA1318

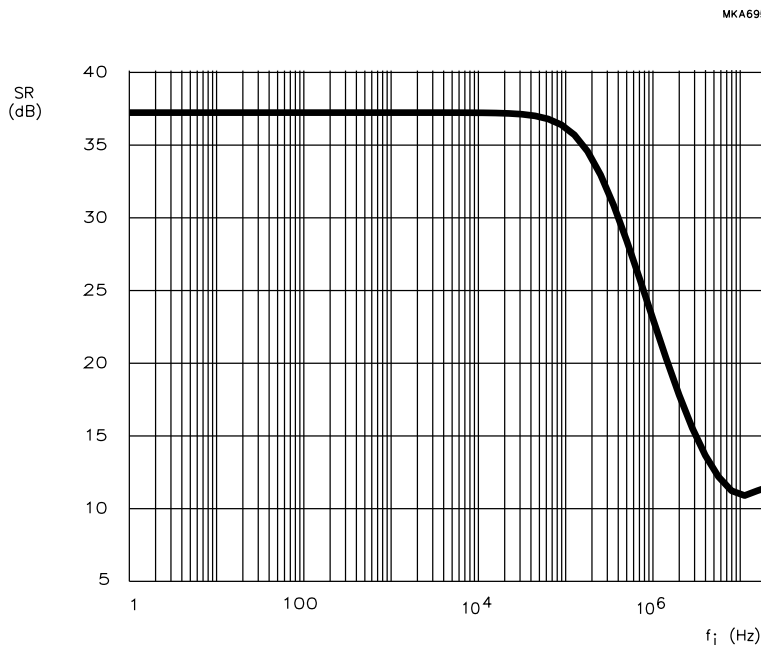


Fig.7 Typical supply rejection of analog amplifier.

**TEST INFORMATION**

The circuit can be set to the TEST mode by connecting pin 27 to V<sub>SS</sub>. In this configuration the multiplexer at pin 3 allows monitoring of the input stage and low-pass filter of each digital amplifier, and also allows input to the high-pass filter of the second stage. The test multiplexer operates in phase with the output multiplexer.

Measurement of the gain of the digital channels can be carried out in two steps: the gain from DCC input to pin 3, and the gain from pin 3 to pin 1.

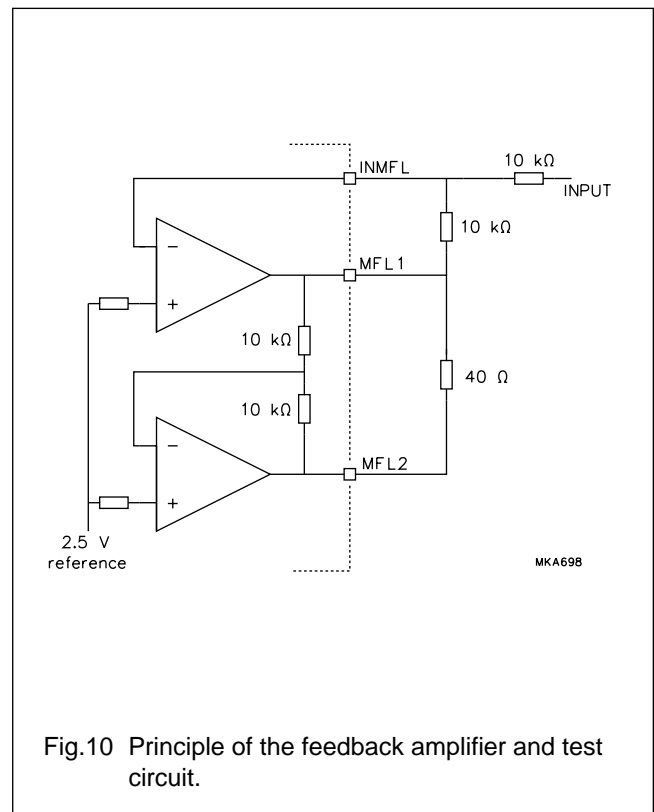
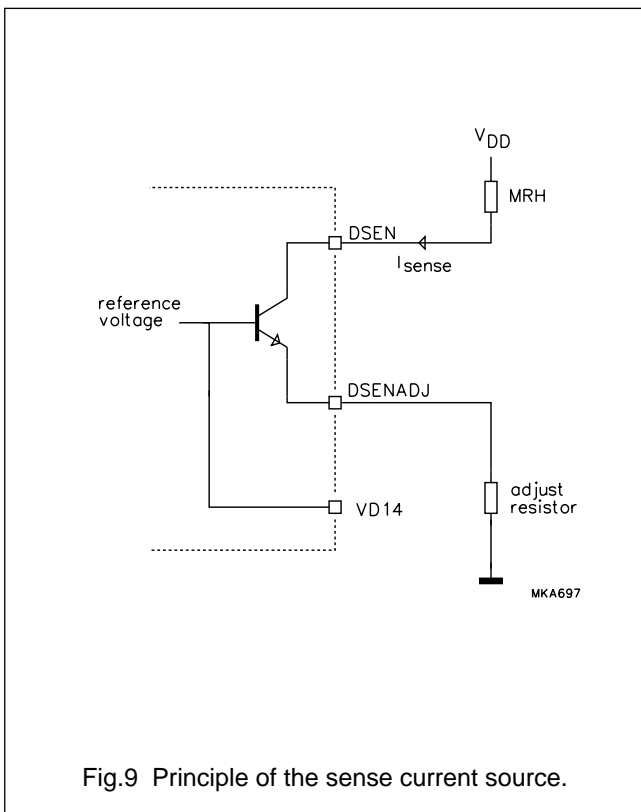
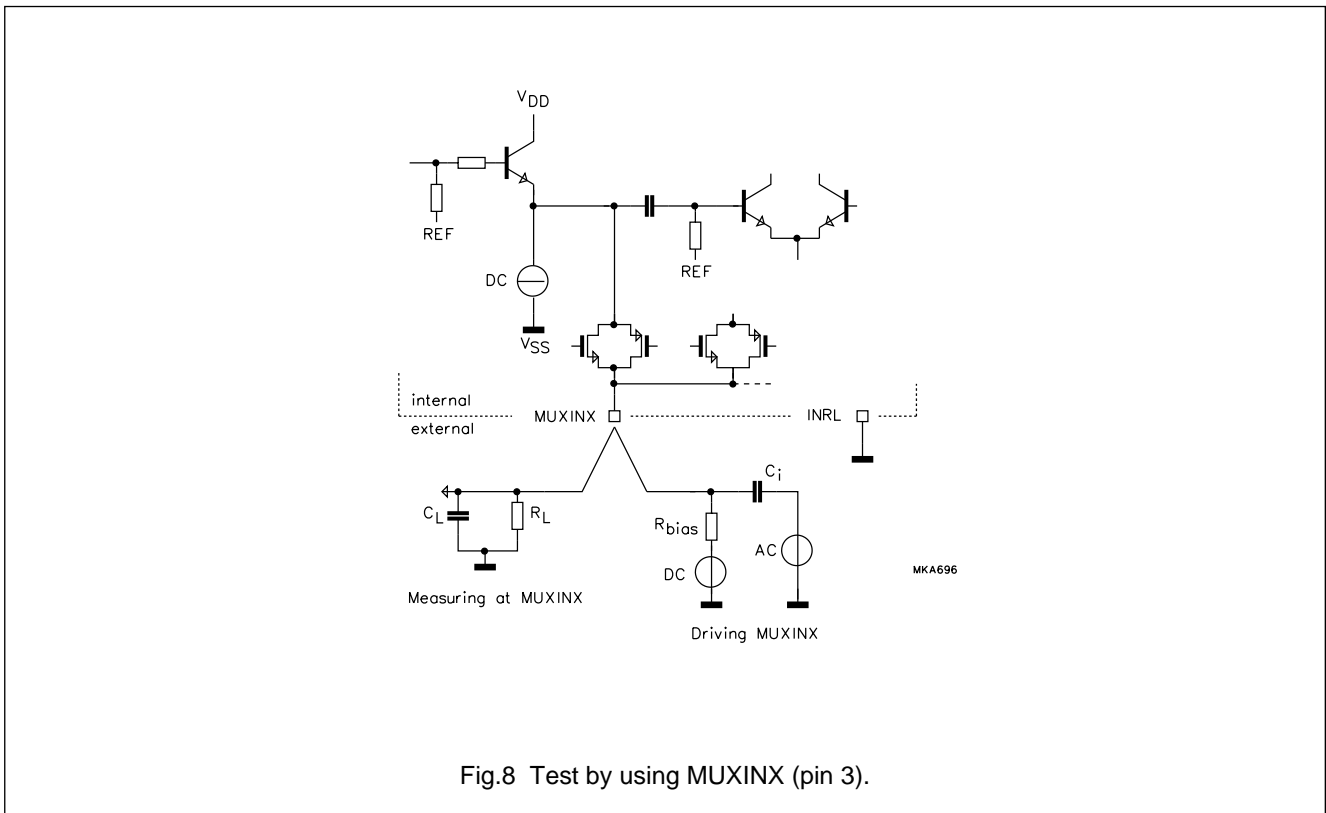
Figure 8 illustrates how to use pin 3 in the test mode; C<sub>L</sub> < 20 pF, R<sub>L</sub> > 100 kΩ, C<sub>i</sub> > 47 nF, R<sub>bias</sub> = 1 kΩ. The DC voltage, when driving pin 3, should be 0.7 V

greater than the measured DC level at pin 3 in order to shut-off the emitter follower. The impedance of the sense current source outputs can be measured from the difference in sense current when applying different voltages to the sense current output. This voltage can vary from 1.5 V to V<sub>DD</sub>. Figure 9 illustrates the principle of the sense current sources.

The feedback amplifiers consist of two operational amplifiers providing one input and a differential output with respect to the internal 2.5 V reference (see Fig.10).

DCC read amplifier

TDA1318



# DCC read amplifier

# TDA1318

## APPLICATION INFORMATION

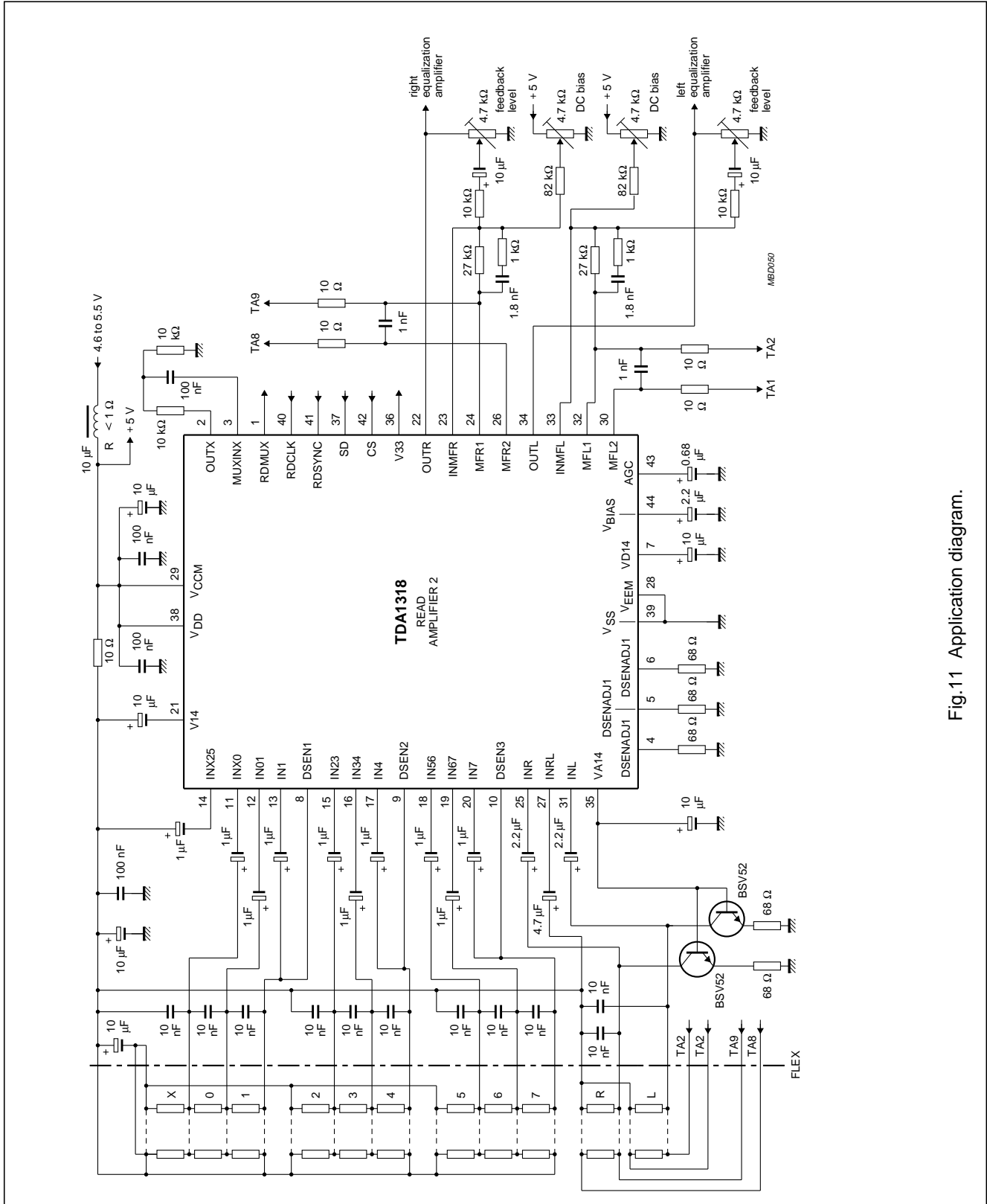


Fig.11 Application diagram.



# DCC read amplifier

# TDA1318

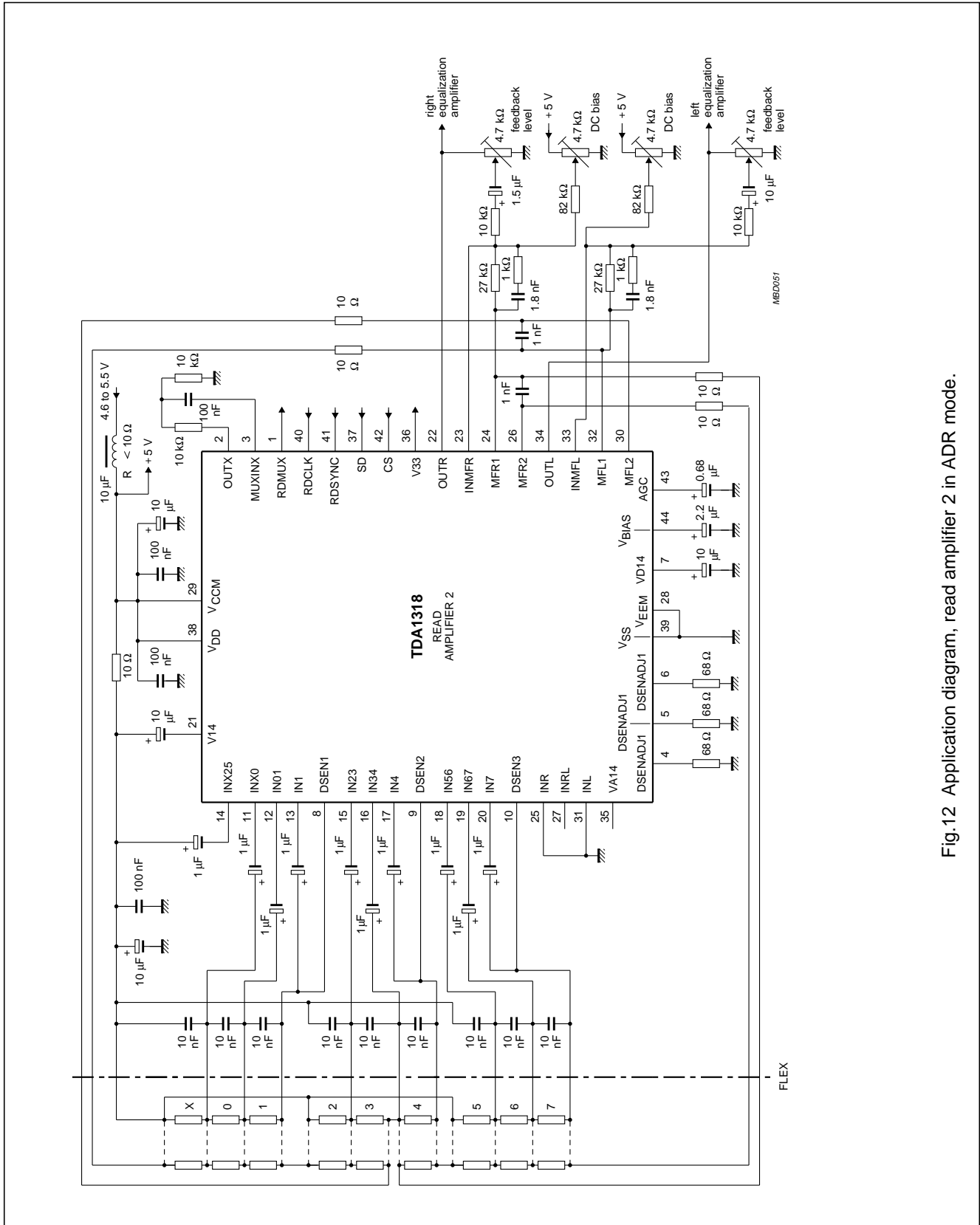


Fig.12 Application diagram, read amplifier 2 in ADR mode.

# DCC read amplifier

# TDA1318

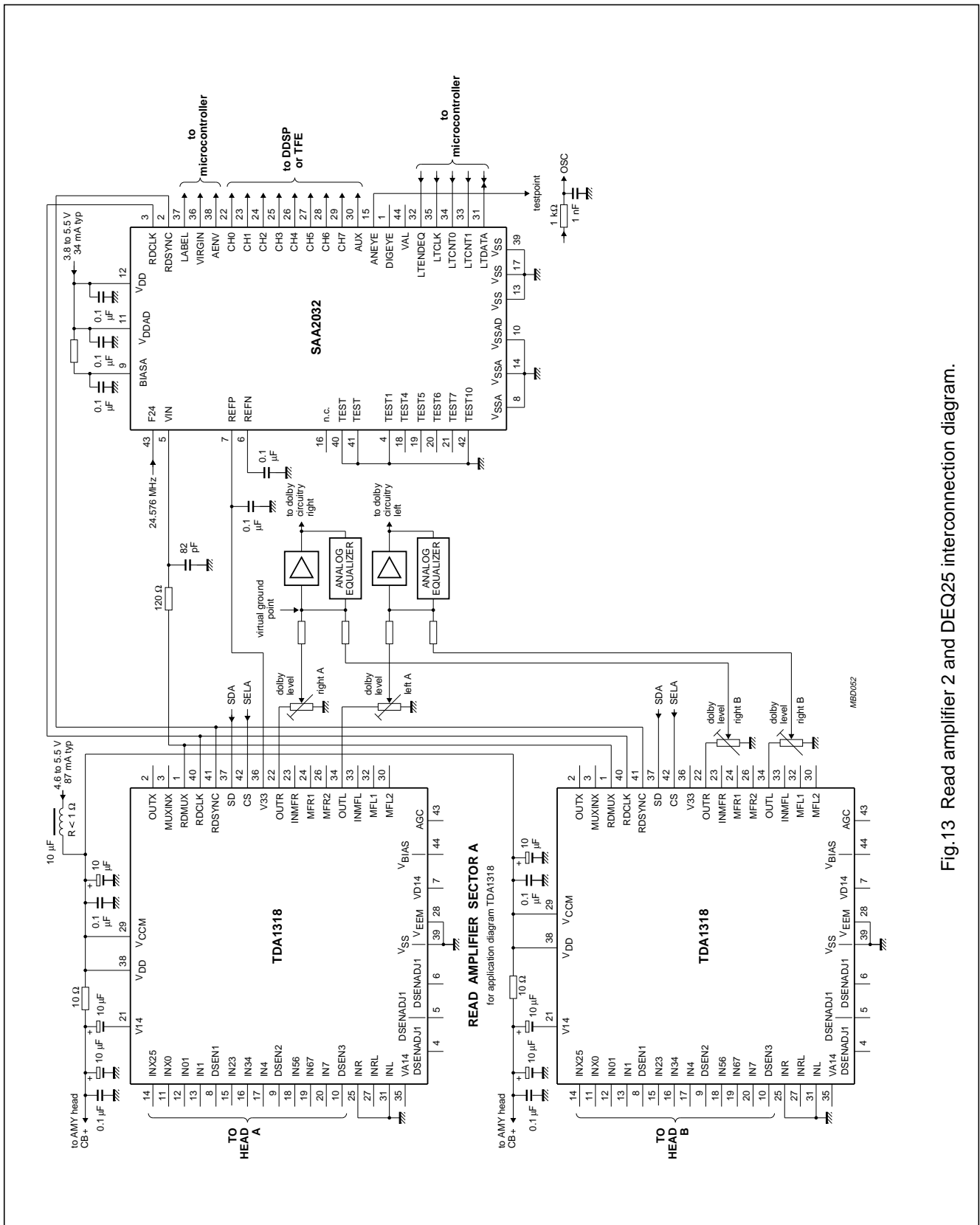
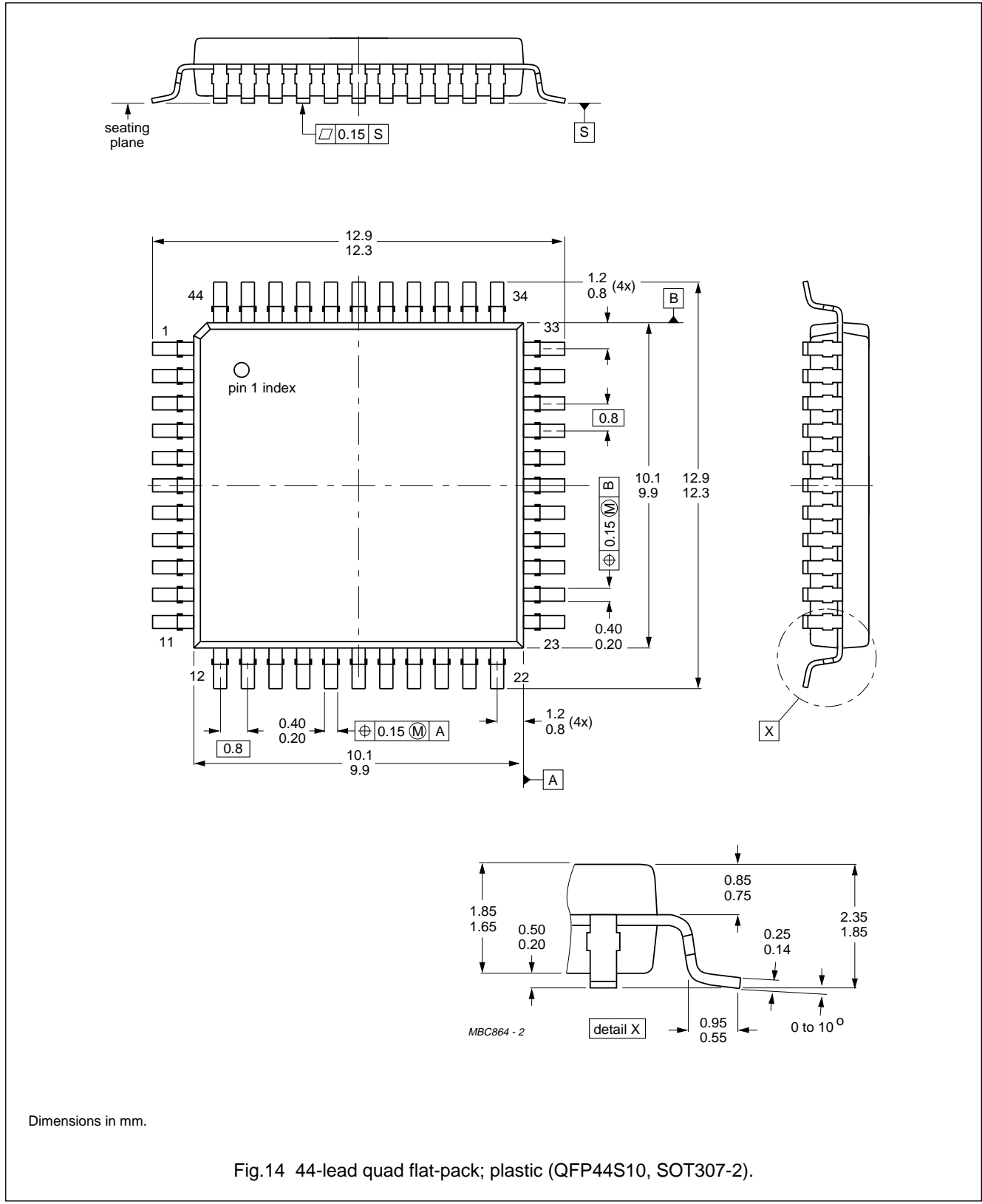


Fig.13 Read amplifier 2 and DEQ25 interconnection diagram.

DCC read amplifier

TDA1318

PACKAGE OUTLINE



## DCC read amplifier

## TDA1318

**SOLDERING****Plastic quad flat-packs**

## BY WAVE

During placement and before soldering, the component must be fixed with a droplet of adhesive. After curing the adhesive, the component can be soldered. The adhesive can be applied by screen printing, pin transfer or syringe dispensing.

Maximum permissible solder temperature is 260 °C, and maximum duration of package immersion in solder bath is 10 s, if allowed to cool to less than 150 °C within 6 s. Typical dwell time is 4 s at 250 °C.

A modified wave soldering technique is recommended using two solder waves (dual-wave), in which a turbulent wave with high upward pressure is followed by a smooth laminar wave. Using a mildly-activated flux eliminates the need for removal of corrosive residues in most applications.

## BY SOLDER PASTE REFLOW

Reflow soldering requires the solder paste (a suspension of fine solder particles, flux and binding agent) to be

applied to the substrate by screen printing, stencilling or pressure-syringe dispensing before device placement.

Several techniques exist for reflowing; for example, thermal conduction by heated belt, infrared, and vapour-phase reflow. Dwell times vary between 50 and 300 s according to method. Typical reflow temperatures range from 215 to 250 °C.

Preheating is necessary to dry the paste and evaporate the binding agent. Preheating duration: 45 min at 45 °C.

**REPAIRING SOLDERED JOINTS (BY HAND-HELD SOLDERING IRON OR PULSE-HEATED SOLDER TOOL)**

Fix the component by first soldering two, diagonally opposite, end pins. Apply the heating tool to the flat part of the pin only. Contact time must be limited to 10 s at up to 300 °C. When using proper tools, all other pins can be soldered in one operation within 2 to 5 s at between 270 and 320 °C. (Pulse-heated soldering is not recommended for SO packages.)

For pulse-heated solder tool (resistance) soldering of VSO packages, solder is applied to the substrate by dipping or by an extra thick tin/lead plating before package placement.

**DEFINITIONS**

<b>Data sheet status</b>	
Objective specification	This data sheet contains target or goal specifications for product development.
Preliminary specification	This data sheet contains preliminary data; supplementary data may be published later.
Product specification	This data sheet contains final product specifications.
<b>Limiting values</b>	
Limiting values given are in accordance with the Absolute Maximum Rating System (IEC 134). Stress above one or more of the limiting values may cause permanent damage to the device. These are stress ratings only and operation of the device at these or at any other conditions above those given in the Characteristics sections of the specification is not implied. Exposure to limiting values for extended periods may affect device reliability.	
<b>Application information</b>	
Where application information is given, it is advisory and does not form part of the specification.	

**LIFE SUPPORT APPLICATIONS**

These products are not designed for use in life support appliances, devices, or systems where malfunction of these products can reasonably be expected to result in personal injury. Philips customers using or selling these products for use in such applications do so at their own risk and agree to fully indemnify Philips for any damages resulting from such improper use or sale.

DCC read amplifier

TDA1318

---

**NOTES**

DCC read amplifier

TDA1318

---

**NOTES**

DCC read amplifier

TDA1318

---

**NOTES**

## Philips Semiconductors – a worldwide company

**Argentina:** IEROD, Av. Juramento 1992 - 14.b, (1428)  
BUENOS AIRES, Tel. (541)786 7633, Fax. (541)786 9367

**Australia:** 34 Waterloo Road, NORTH RYDE, NSW 2113,  
Tel. (02)805 4455, Fax. (02)805 4466

**Austria:** Triester Str. 64, A-1101 WIEN, P.O. Box 213,  
Tel. (01)60 101-1236, Fax. (01)60 101-1211

**Belgium:** Postbus 90050, 5600 PB EINDHOVEN, The Netherlands,  
Tel. (31)40 783 749, Fax. (31)40 788 399

**Brazil:** Rua do Rocio 220 - 5<sup>th</sup> floor, Suite 51,  
CEP: 04552-903-SÃO PAULO-SP, Brazil.  
P.O. Box 7383 (01064-970).  
Tel. (011)821-2327, Fax. (011)829-1849

**Canada:** INTEGRATED CIRCUITS:  
Tel. (800)234-7381, Fax. (708)296-8556  
DISCRETE SEMICONDUCTORS: 601 Milner Ave,  
SCARBOROUGH, ONTARIO, M1B 1M8,  
Tel. (416)292 5161 ext. 2336, Fax. (416)292 4477

**Chile:** Av. Santa Maria 0760, SANTIAGO,  
Tel. (02)773 816, Fax. (02)777 6730

**Colombia:** Carrera 21 No. 56-17, BOGOTÁ, D.E., P.O. Box 77621,  
Tel. (571)217 4609, Fax. (01)217 4549

**Denmark:** Prags Boulevard 80, PB 1919, DK-2300 COPENHAGEN S,  
Tel. (032)88 2636, Fax. (031)57 1949

**Finland:** Sinikalliontie 3, FIN-02630 ESPOO,  
Tel. (9)0-50261, Fax. (9)0-520971

**France:** 4 Rue du Port-aux-Vins, BP317,  
92156 SURESNES Cedex,  
Tel. (01)4099 6161, Fax. (01)4099 6427

**Germany:** P.O. Box 10 63 23, 20095 HAMBURG ,  
Tel. (040)3296-0, Fax. (040)3296 213

**Greece:** No. 15, 25th March Street, GR 17778 TAVROS,  
Tel. (01)4894 339/4894 911, Fax. (01)4814 240

**Hong Kong:** 15/F Philips Ind. Bldg., 24-28 Kung Yip St.,  
KWAH CHUNG, N.T. Tel. (0)4245 121, Fax. (0)4806 960

**India:** Philips Components Division,  
A Block Shivsagar Estate Worli,  
Dr. Annie Besant Rd., Bombay 400 018  
Tel. (022)4938 541, Fax. (022)4938 722

**Indonesia:** Philips House, Jalan H.R. Rasuna Said Kav. 3-4,  
P.O. Box 4252, JAKARTA 12950,  
Tel. (021)5201 122, Fax. (021)5205 189

**Ireland:** Newstead, Clonskeagh, DUBLIN 14,  
Tel. (01)640 000, Fax. (01)640 200

**Italy:** Viale F. Testi, 327, 20162 MILANO,  
Tel. (02)6752.3358, Fax. (02)6752.3350

**Japan:** Philips Bldg 13-37, Kohnan2-chome, Minato-ku, TOKYO 108,  
Tel. (03)3740 5028, Fax. (03)3740 0580

**Korea:** (Republic of) Philips House, 260-199 Itaewon-dong,  
Yongsan-ku, SEOUL, Tel. (02)794-5011, Fax. (02)798-8022

**Malaysia:** No. 76 Jalan Universiti, 46200 PETALING JAYA,  
SELANGOR, Tel. (03)750 5214, Fax. (03)757 4880

**Mexico:** Philips Components, 5900 Gateway East, Suite 200,  
EL PASO, TX 79905, Tel. 9-5(800)234-7381, Fax. (708)296-8556

**Netherlands:** Postbus 90050, 5600 PB EINDHOVEN,  
Tel. (040)78 37 49, Fax. (040)78 83 99

**New Zealand:** 2 Wagener Place, C.P.O. Box 1041, AUCKLAND,  
Tel. (09)849-4160, Fax. (09)849-7811

**Norway:** Box 1, Manglerud 0612, OSLO,  
Tel. (022)74 8000, Fax. (022)74 8341

**Pakistan:** Philips Markaz, M.A. Jinnah Rd., KARACHI 3,  
Tel. (021)577 039, Fax. (021)569 1832

**Philippines:** PHILIPS SEMICONDUCTORS PHILIPPINES Inc,  
106 Valero St. Salcedo Village, P.O. Box 2108 MCC, MAKATI,  
Metro MANILA, Tel. (02)810 0161, Fax. (02)817 3474

**Portugal:** Av. Eng. Duarte Pacheco 6, 1009 LISBOA Codex,  
Tel. (01)683 121, Fax. (01)658 013

**Singapore:** Lorong 1, Toa Payoh, SINGAPORE 1231,  
Tel. (65)350 2000, Fax. (65)251 6500

**South Africa:** 195-215 Main Road, Martindale,  
P.O. Box 7430, JOHANNESBURG 2000,  
Tel. (011)470-5911, Fax. (011)470-5494

**Spain:** Balmes 22, 08007 BARCELONA,  
Tel. (03)301 6312, Fax. (03)301 42 43

**Sweden:** Kottbygatan 7, Akalla. S-164 85 STOCKHOLM,  
Tel. (0)8-632 2000, Fax. (0)8-632 2745

**Switzerland:** Allmendstrasse 140, CH-8027 ZÜRICH,  
Tel. (01)488 2211, Fax. (01)481 7730

**Taiwan:** 23-30F, 66, Chung Hsiao West Road, Sec. 1,  
P.O. Box 22978, TAIPEI 10446,  
Tel. (2)382 4443, Fax. (2)382 4444

**Thailand:** PHILIPS ELECTRONICS (THAILAND) Ltd.,  
60/14 MOO 11, Bangna - Trad Road Km. 3  
Prakanong, BANGKOK 10260,  
Tel. (2)399-3280 to 9, (2)398-2083, Fax. (2)398-2080

**Turkey:** Talatpasa Cad. No. 5, 80640 GULTEPE/ISTANBUL,  
Tel. (0212)279 2770, Fax. (0212)269 3094

**United Kingdom:** Philips Semiconductors Limited, P.O. Box 65,  
Philips House, Torrington Place, LONDON, WC1E 7HD,  
Tel. (071)436 41 44, Fax. (071)323 03 42

**United States:** INTEGRATED CIRCUITS:  
811 East Arques Avenue, SUNNYVALE, CA 94088-3409,  
Tel. (800)234-7381, Fax. (708)296-8556  
DISCRETE SEMICONDUCTORS: 2001 West Blue Heron Blvd.,  
P.O. Box 10330, RIVIERA BEACH, FLORIDA 33404,  
Tel. (800)447-3762 and (407)881-3200, Fax. (407)881-3300

**Uruguay:** Coronel Mora 433, MONTEVIDEO,  
Tel. (02)70-4044, Fax. (02)92 0601

**For all other countries apply to:** Philips Semiconductors,  
International Marketing and Sales, Building BAF-1,  
P.O. Box 218, 5600 MD, EINDHOVEN, The Netherlands,  
Telex 35000 phtcnl, Fax. +31-40-724825

SCD30 © Philips Electronics N.V. 1994

All rights are reserved. Reproduction in whole or in part is prohibited without the prior written consent of the copyright owner.

The information presented in this document does not form part of any quotation or contract, is believed to be accurate and reliable and may be changed without notice. No liability will be accepted by the publisher for any consequence of its use. Publication thereof does not convey nor imply any license under patent- or other industrial or intellectual property rights.

Printed in The Netherlands

# Philips Semiconductors



# PHILIPS