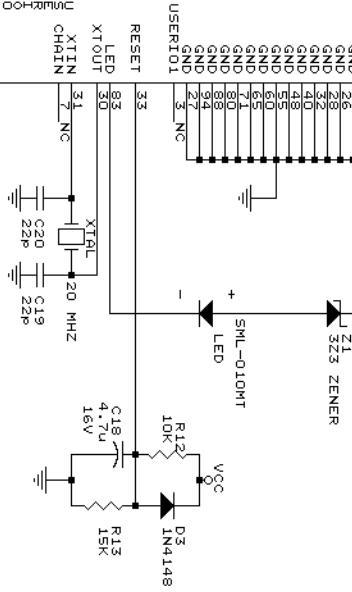
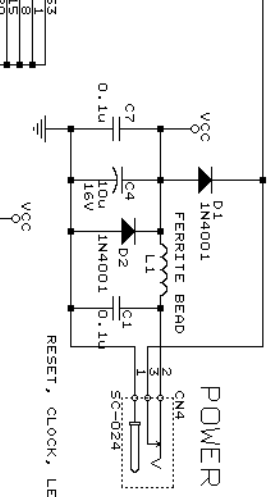
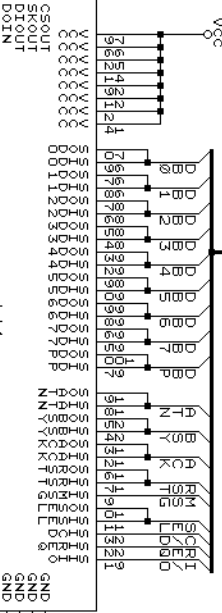
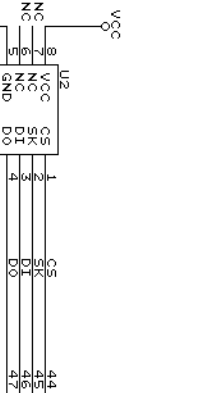
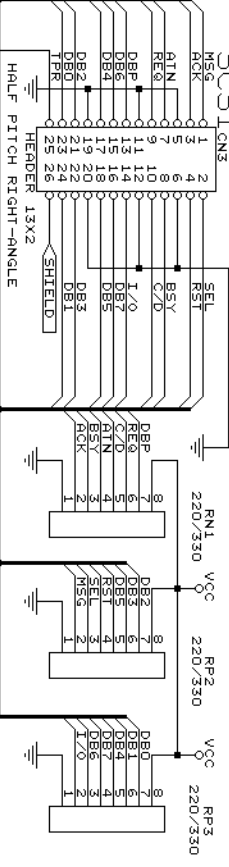
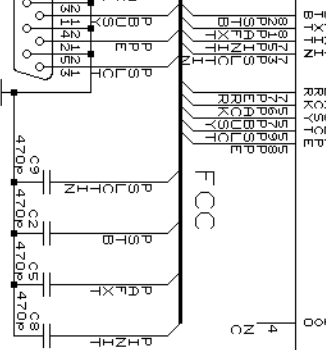
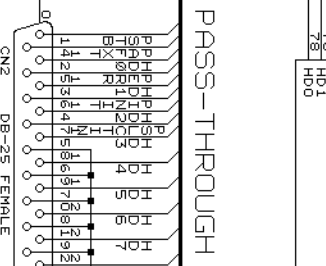
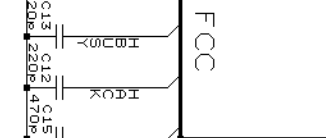
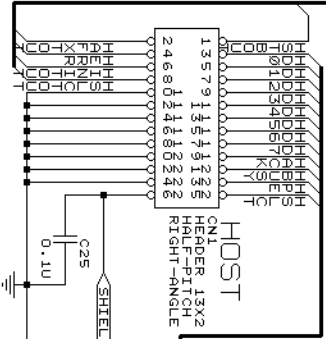
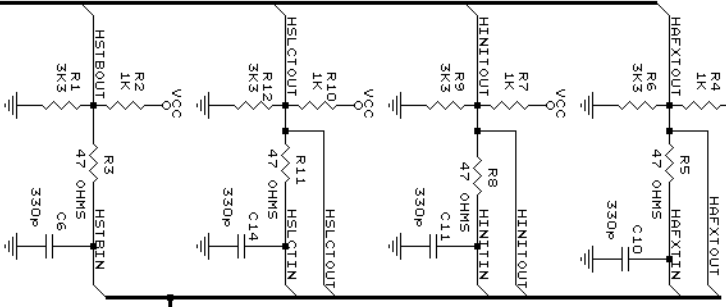
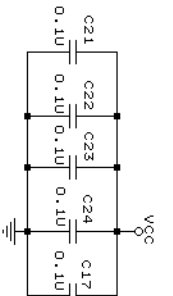


FILTERS



Title	SHUTTLE TECHNOLOGY (INDIA) LTD
Size Document Number	EPST-01
REV	B
Date:	JULY 20, 1995
Sheet	1 of 1